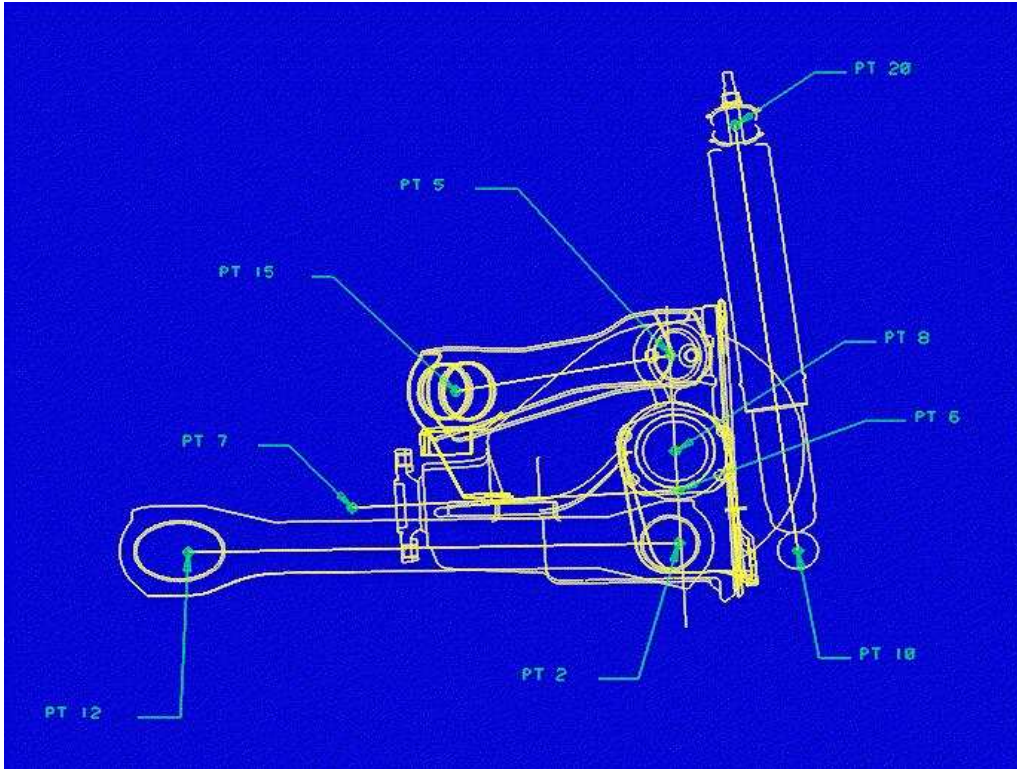
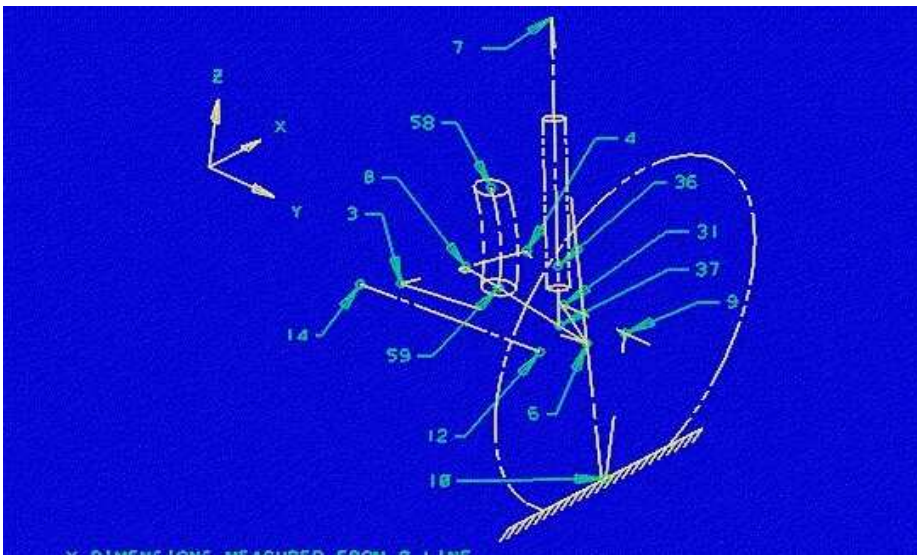


SN95 FRONT & REAR SUSPENSION

REAR SUSPENSION Left-Side View



Front Suspension 3/4 Front



1996-2004**Mustang GT Front Suspension @ Curb:**

	X	Y	Z
PT3	1589.14	-306.32	388.54
PT4	1827.80	-373.42	400.00
PT6	1618.82	-681.08	426.76
PT7	1662.74	-498.22	964.64
PT9	1624.18	-758.46	494.05
PT10	1624.18	-786.11	99.12
PT31	1624.06	-660.01	492.14
PT12	1490.44	-708.60	410.00
PT14	1493.75	-311.15	410.00
PT58	1647.50	-449.50	598.71
PT59	1631.70	-516.37	352.82

1996-2004**Mustang GT Rear Suspension @ Curb:**

	X	Y	Z
PT2	4195.73	-523.24	370.23
PT5	4197.14	-164.34	552.52
PT6	4197.09	14.22	421.70
PT7	3903.74	14.22	418.90
PT8	4196.73	-763.25	459.80
PT10	4302.93	-546.10	358.06
PT12	3754.75	-448.75	397.00
PT15	4000.46	-293.50	551.80
PT20	4251.85	-531.30	809.50

Bullitt Front Suspension @ Curb

	X	Y	Z
PT3	1589.14	-306.32	388.54
PT4	1827.80	-373.42	400.00
PT6	1619.35	-682.52	407.20
PT7	1662.74	-498.22	964.64
PT9	1624.52	-759.9	474.50
PT10	1624.52	-787.55	79.57
PT31	1624.39	-661.45	472.59
PT12	1490.91	-710.05	430.48
PT14	1493.75	-311.15	410.00
PT58	1647.50	-449.50	598.71
PT59	1631.70	-516.37	352.82

Bullitt Rear Suspension @ Curb

	X	Y	Z
PT2	4196.24	-523.24	389.83
PT5	4197.47	-164.34	571.73
PT6	4197.05	14.22	440.84
PT7	3903.74	14.22	434.49
PT8	4196.18	-763.25	479.00
PT10	4303.58	-546.10	378.54
PT12	3754.75	-448.75	397.00
PT15	4000.46	-293.50	551.80
PT20	4251.85	-531.30	809.50

Mach I Rear Suspension @ Curb

	X	Y	Z
PT2	4196.15	-523.24	389.90
PT5	4196.12	-164.35	565.21
PT6	4197.15	14.22	434.91
PT7	3903.82	14.22	429.77
PT8	4196.47	-763.25	473.00
PT10	4304.85	-545.99	372.45
PT12	3754.75	-448.75	397.00
PT15	4000.46	-293.50	551.80
PT20	4251.85	-531.30	809.50

**Mustang REAR Suspension
(with lower Parallel to ground)**

	X	Y	Z
PT2	4196.53	-523.25	396.99
PT5	4195.33	-164.34	578.98
PT5_A	4324.48	-335.76	592.79
PT6	xx	xx	xx
PT7	xx	xx	xx
PT8	4196.25	-746.24	486.26
PT10	xx	xx	xx
PT12	3754.75	-448.75	397.00
PT15	4000.46	-293.50	551.80
PT20	4251.85	-531.30	809.50

STEEDA